

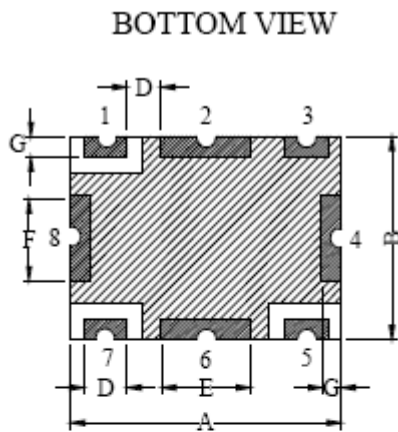
### FEATURE:

- Frequency Range : 741 MHz ~ 755 MHz
- SIZE: 8.0×6.0×1.9 mm ;
- ROHS ;

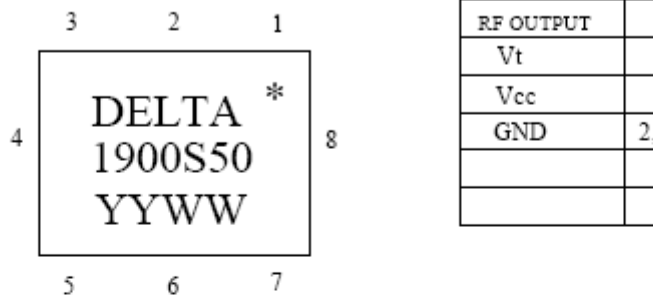
### ELECTRICAL SPECIFICATION

Frequency Range		741 MHz ~ 755 MHz
Tuning voltage	V <sub>DC</sub>	0.5 ~ 2.2
Tuning Sensitivity	MHz/V	12±3
Phase Noise	dBc/Hz @offset	≤-93 @ 10KHz ; ≤-113 @ 100KHz
Output Power	dBm	-8±3.0
Pushing	MHz	±2.0
Pulling (1.67:1 VSWR)	MHz	±2.0
Supply Voltage	V <sub>DC</sub>	2.84±0.1
Supply Current	mA	15
Harmonic 2nd	dBc	-18
Input Capacitance	pF	47
Operating Temperature	°C	-20°C ~ +75°C

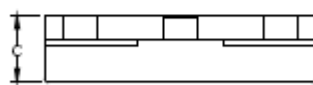
### OUTLINE DRAWING (mm)



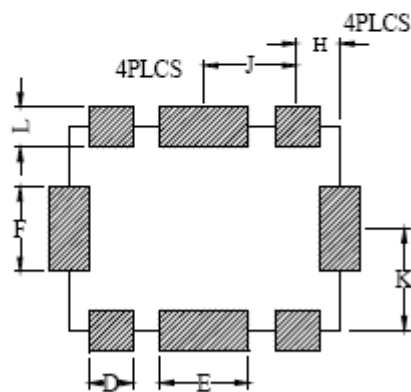
### TOP VIEW



PIN OUT FOR VCO	
	PIN
RF OUTPUT	1(*)
V <sub>t</sub>	5
V <sub>cc</sub>	7
GND	2,3,4,6,8



SIDE VIEW



RECOMMENDED  
LAND PATTERN  
(TOP VIEW)

SYMBOL	DIMENSION
	MILLIMETERS
A	8.0±0.2
B	6.0±0.2
C	1.9MAX
D	1.3±0.1
E	2.0±0.2
F	2.2±0.2
G	0.7±0.1
H	1.05±0.1
J	2.95±0.1
K	3.0±0.1
L	1.4±0.1