

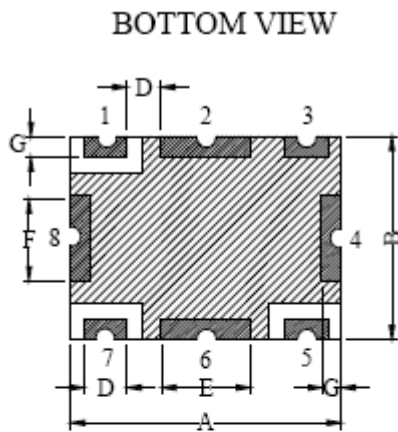
FEATURE:

- Frequency Range : 2023 MHz ~ 2125 MHz
- SIZE: 8.0×6.0×1.9 mm ;
- ROHS ;

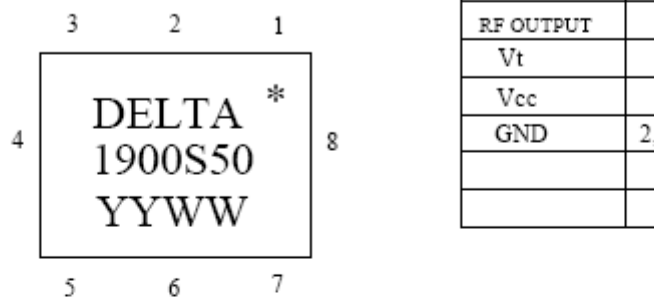
ELECTRICAL SPECIFICATION

Frequency Range		2023 MHz ~ 2125 MHz
Tuning voltage	V _{DC}	0.5 ~ 2.2
Tuning Sensitivity	MHz/V	80 ± 10
Phase Noise	dBc/Hz @offset	≤ -90 @ 10KHz ; ≤ -110 @ 100KHz
Output Power	dBm	0 ± 3
Pushing	MHz	± 2.0
Pulling (1.67:1 VSWR)	MHz	± 3.0
Supply Voltage	V _{DC}	2.84 ± 0.1
Supply Current	mA	15
Harmonic 2nd	dBc	-15
Input Capacitance	pF	47
Operating Temperature	°C	-25°C ~ +75°C

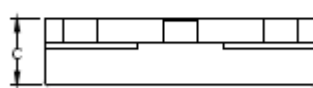
OUTLINE DRAWING (mm)



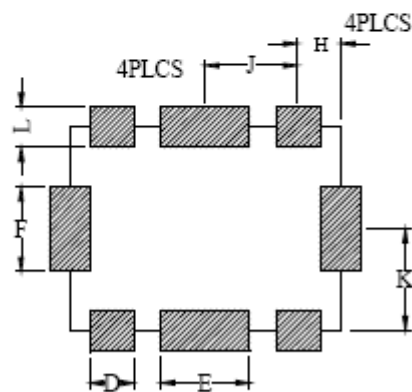
TOP VIEW



PIN OUT FOR VCO	
	PIN
RF OUTPUT	1(*)
V _t	5
V _{cc}	7
GND	2,3,4,6,8



SIDE VIEW



RECOMMENDED LAND PATTERN (TOP VIEW)

SYMBOL	DIMENSION	
	MILLIMETERS	
A	8.0±0.2	
B	6.0±0.2	
C	1.9MAX	
D	1.3±0.1	
E	2.0±0.2	
F	2.2±0.2	
G	0.7±0.1	
H	1.05±0.1	
J	2.95±0.1	
K	3.0±0.1	
L	1.4±0.1	