

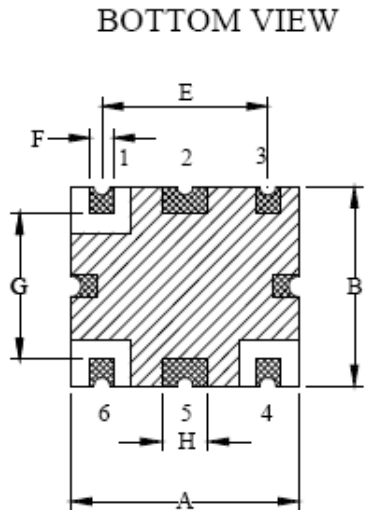
### FEATURE:

- Frequency Range : 741 MHz ~ 755 MHz
- SIZE: 5.5×4.8×1.85 mm ;
- ROHS ;

### ELECTRICAL SPECIFICATION

Frequency Range		741 MHz ~ 755 MHz
Tuning voltage	V <sub>DC</sub>	0.5 ~ 2.2
Tuning Sensitivity	MHz/V	12±3
Phase Noise	dBc/Hz @offset	≤-93 @ 10KHz ; ≤-113 @ 100KHz
Output Power	dBm	-8.0±3.0
Pushing	MHz	±2.0
Pulling (1.67:1 VSWR)	MHz	±2.0
Supply Voltage	V <sub>DC</sub>	2.84±0.1
Supply Current	mA	15
Harmonic 2nd	dBc	-18
Input Capacitance	pF	47
Operating Temperature	°C	-20°C ~ +75°C

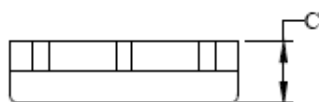
### OUTLINE DRAWING (mm)



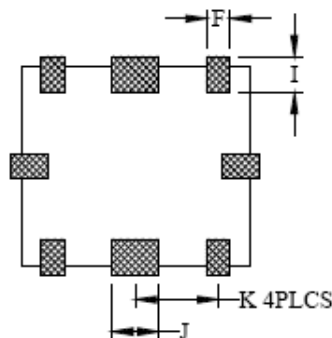
### TOP VIEW



PIN OUT FOR VCO	
	PIN
OUT	1 (*)
V <sub>t</sub>	4
VCC	6
GND	2,3,5



### SIDE VIEW



### RECOMMENDED LAND PATTERN (TOP VIEW)

SYMBOL	DIMENSION
	MILLIMETERS
A	5.5±0.2
B	4.8±0.2
C	1.8MAX
E	4.0±0.1
F	0.7±0.1
G	3.2±0.1
H	1.4±0.2
I	1.1±0.1
J	1.4±0.1
K	2.0±0.1