

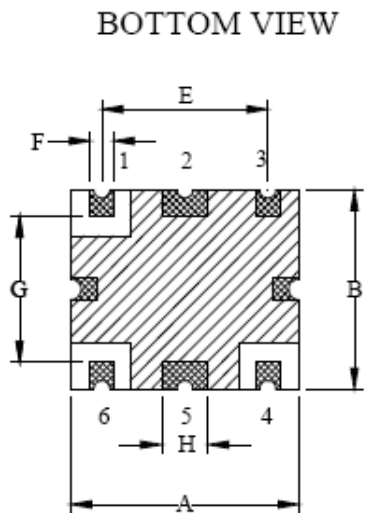
FEATURE:

- Frequency Range : 914 MHz ~ 939 MHz
- SIZE: 5.5×4.8×1.85 mm ;
- ROHS ;

ELECTRICAL SPECIFICATION

Frequency Range		914 MHz ~ 939 MHz
Tuning voltage	V _{DC}	0.5 ~ 2.5
Tuning Sensitivity	MHz/V	24±6
Phase Noise	dBc/Hz @offset	≤-100 @ 10KHz ; ≤-107 @ 60KHz
Output Power	dBm	≥-8
Pushing	MHz	±0.5
Pulling (1.67:1 VSWR)	MHz	±1.0
Supply Voltage	V _{DC}	2.8±0.1
Supply Current	mA	18
Harmonic 2nd	dBc	-10
Input Capacitance	pF	47
Operating Temperature	°C	-30°C ~ +65°C

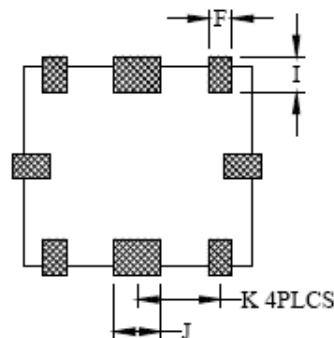
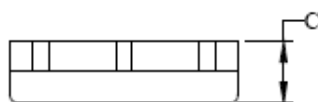
OUTLINE DRAWING (mm)



TOP VIEW



PIN OUT FOR VCO	
	PIN
OUT	1 (*)
V _t	4
VCC	6
GND	2,3,5



SYMBOL	DIMENSION	
	MILLIMETERS	
A	5.5±0.2	
B	4.8±0.2	
C	1.8MAX	
E	4.0±0.1	
F	0.7±0.1	
G	3.2±0.1	
H	1.4±0.2	
I	1.1±0.1	
J	1.4±0.1	
K	2.0±0.1	