

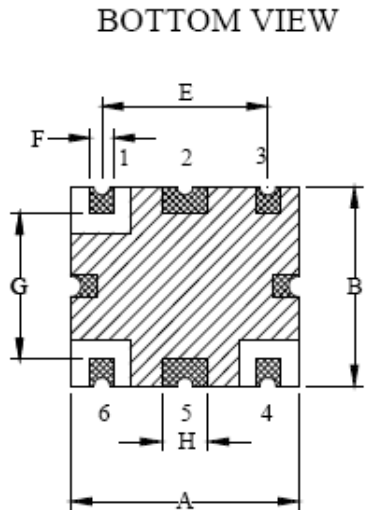
FEATURE:

- Frequency Range : 1649.7 MHz ~ 1686.3 MHz
- SIZE: 5.5×4.8×1.85 mm ;
- ROHS ;

ELECTRICAL SPECIFICATION

Frequency Range		1649.7 MHz ~ 1686.3 MHz
Tuning voltage	V _{DC}	0.6 ~ 1.9
Tuning Sensitivity	MHz/V	50±7
Phase Noise	dBc/Hz @offset	≤-90 @ 10KHz ; ≤-110 @ 100KHz
Output Power	dBm	≥-6
Pushing	MHz	±0.8
Pulling (1.67:1 VSWR)	MHz	2.0
Supply Voltage	V _{DC}	2.8±0.2
Supply Current	mA	10
Harmonic 2nd	dBc	-15
Input Capacitance	pF	47
Operating Temperature	°C	-20°C ~ +75°C

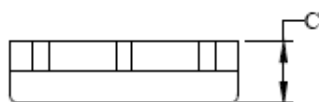
OUTLINE DRAWING (mm)



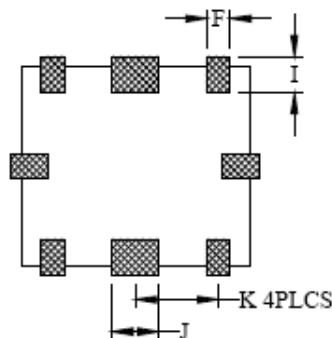
TOP VIEW



PIN OUT FOR VCO	
	PIN
OUT	1 (*)
V _t	4
VCC	6
GND	2,3,5



SIDE VIEW



RECOMMENDED LAND PATTERN (TOP VIEW)

SYMBOL	DIMENSION	
	MILLIMETERS	
A	5.5±0.2	
B	4.8±0.2	
C	1.8MAX	
E	4.0±0.1	
F	0.7±0.1	
G	3.2±0.1	
H	1.4±0.2	
I	1.1±0.1	
J	1.4±0.1	
K	2.0±0.1	