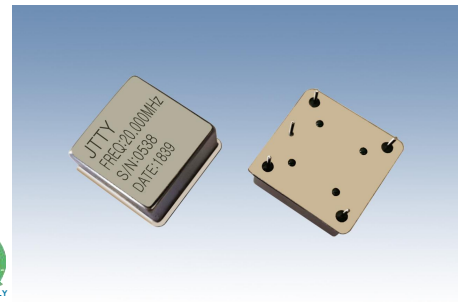


产品特点 FEATURES

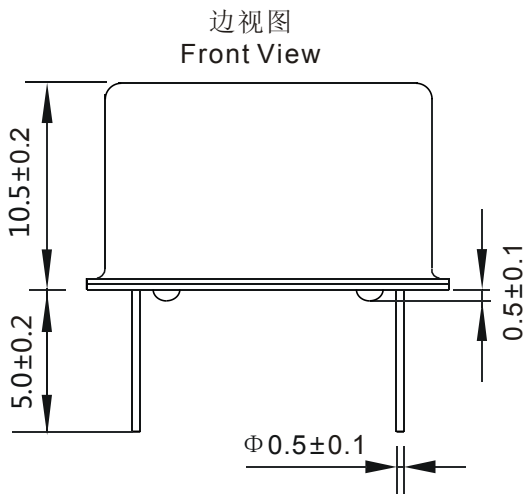
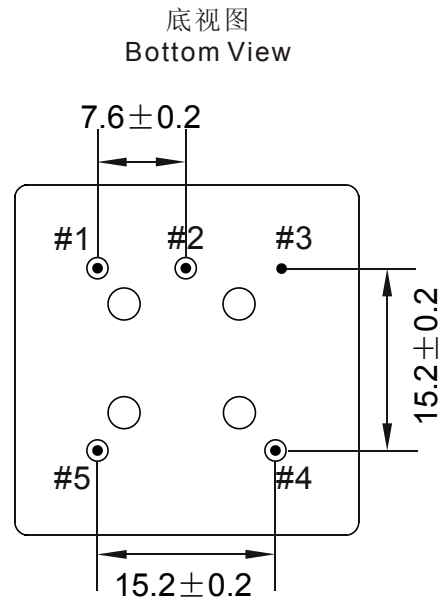
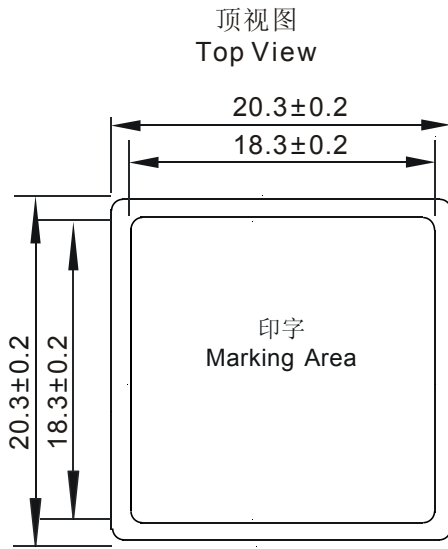
- 典型的20.3X20.3X10.5mm Typical 20.3X20.3X10.5mm
- 5 pin DIP技术封装 5 Pin solder sealed metal Package
- 双密封金属外壳和高可靠性 Double sealed metal case and high reliability
- AT或SC切割晶体 AT-cut or SC-cut crystal

应用范围 APPLICATION

- 大规模设备 Large-Scale equipment
- 无线局域网/宽带无线域网 WLAN/WiMAX
- 军事通信设备 Military Communication equipment



| 参数 | Parameter | 符号 Sym | 条件 Condition | 最小值 Min. | 典型 Typ. | 最大值 Max. | 单位 Unit | 备注 Note | | | | | |
|------------------------------|--------------------------------------|----------------|-----------------|--|--|-------------|------------|----------------|----------------------|------------|--------|--------|-------|
| 频率范围 | Frequency Range | F | | 1.25 | | 100 | MHz | | | | | | |
| 标称频率 | Nominal Freq. | F _n | | | 10.000 | | MHz | 自定义 Custom | | | | | |
| 频率精度 | Frequency Accur. | ΔF/F | 25°C | | | ±0.5 | ppm | | | | | | |
| 输出波形 | Output Waveform | | | 方波 Square wave | | | | 正弦波 Sinewave | | | | | |
| 频率稳定性 Frequency Stability | Vs. temp.(°C) | ΔF/F | | +12V | | +5V | | | | 单位 Unit | | | |
| | | | | AT-cut | SC-cut | AT-cut | SC-cut | AT-cut | SC-cut | | AT-cut | SC-cut | |
| | | | | 0~+60 | ±0.02 | ±0.01 | ±0.02 | ±0.01 | ±0.02 | | ±0.01 | ±0.02 | ±0.01 |
| | | | | -20~+70 | ±0.05 | ±0.01 | ±0.05 | ±0.01 | ±0.05 | | ±0.01 | ±0.05 | ±0.01 |
| | | | | -40~+85 | ±0.1 | ±0.03 | ±0.1 | ±0.03 | ±0.1 | | ±0.03 | ±0.1 | ±0.03 |
| | | | | 电压变化 vs Voltage Change | ≤±20, 电源电压变化±5% ≤±20, supply voltage ±5% variation. | | | | | | | | |
| | | | | 预热时间 vs Warm-up time(+25°C) | AT-cut : 3.0 SC-cut : 1.0 | | | | | | | | |
| 老化率 vs Aging | ±0.7 first year, 小于±4 over 10 years. | | | | | | | | | | | | |
| 负载变化 vs Load Chang | ≤±20, for ±5% load condition change | | | | | | | | | | | | |
| 功耗 Power Dissipation | P | | @25°C | 200mA (max) at steady-state , 500mA (max) at turn-on | | | | W | | | | | |
| 工作温度范围 | Operating Temp. | To | | -20 | | +70 | °C | | | | | | |
| | | | | -40 | | +85 | | | | | | | |
| 存储温度 | Storage Temp. | Ts | | -55 | | +125 | | | | | | | |
| 输出波形 | Output Waveform | | | 方波 Square wave, 15~50pF ; 正弦波 Sinewave, 50Ω | | | | | | | | | |
| 输出电平 | Output Level | | | | +3 | | dBm | @Sinewave, 50Ω | | | | | |
| 负载 | Load | | | | 50 | | Ω | | | | | | |
| 谐波抑制 | Harmonics Att. | | | -25 | | | dBc | @正弦波 | | | | | |
| 杂波抑制 | Spurious Att. | | | -70 | | | dBc | @Sinewave | | | | | |
| 相位噪声 | SSB Phase Noise | | | 10Hz | -120 | | | dBc/Hz | @5V, 10MHz SC-cut | | | | |
| | | | | 100Hz | -140 | | | | | | | | |
| | | | | 1KHz | -145 | | | | | | | | |
| | | | | 10KHz | -150 | | | | | | | | |
| 电源电压 | Supply Voltage | Vcc | | 4.75 | 5.0 | 5.25 | V | | | | | | |
| | | | | 11.5 | 12 | 12.5 | | | | | | | |
| 频率调整 Frequency Adjustment | EFC电压 EFC Voltage | Vcon | | 0 | 2.0 | 4.0 | V | @ 5V、12V | | | | | |
| | EFC范围 EFC Range | | | | | ±4.0 | ppm | 自定义 Custom | | | | | |
| | 线性 Linearity | | | | | ±10 | % | | | | | | |
| | 偏差斜率 Deviation Slope | | 正斜率 Positive | | | | | | | | | | |
| | 输入阻抗 Input impedance | | | | 47 | | | KΩ | | | | | |
| 封装 | Package | | | DIP(20.3X13.2X11.0) | | | | mm | | | | | |



Unit:mm

| Pad Functions: | |
|----------------|--------------------------|
| Pad #1 | Supply Voltage |
| Pad #2 | RF Output |
| Pad #3 | Ground/Case |
| Pad #4 | Voltage Control EFC |
| Pad #5 | Reference Voltage Output |