

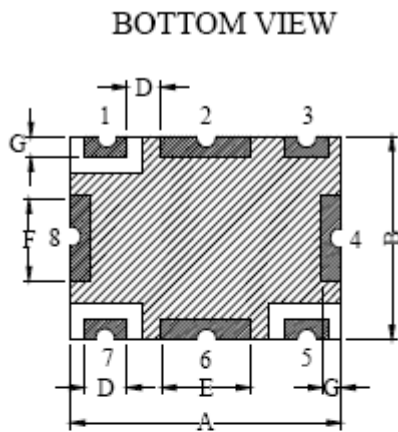
FEATURE:

- Frequency Range : 824.5 MHz ~ 849.5 MHz
- SIZE: 8.0×6.0×1.9 mm ;
- ROHS ;

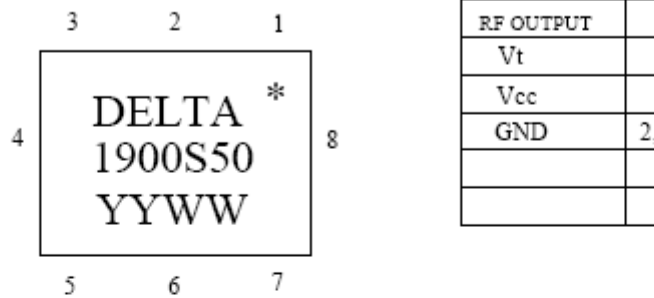
ELECTRICAL SPECIFICATION

Frequency Range		824.5 MHz ~ 849.5 MHz
Tuning voltage	V _{DC}	0.5 ~ 2.5
Tuning Sensitivity	MHz/V	21 ± 4
Phase Noise	dBc/Hz @offset	≤ -67 @ 60KHz ; 300KHz BW
Output Power	dBm	≥ -4
Pushing	MHz	± 1.5
Pulling (1.67:1 VSWR)	MHz	± 1.0
Supply Voltage	V _{DC}	2.7 ± 0.3
Supply Current	mA	8
Harmonic 2nd	dBc	-10
Input Capacitance	pF	47
Operating Temperature	°C	-30°C ~ +70°C

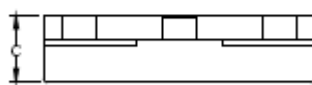
OUTLINE DRAWING (mm)



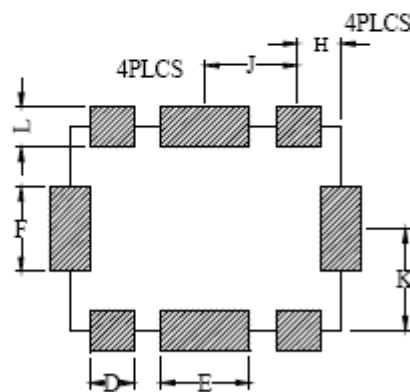
TOP VIEW



PIN OUT FOR VCO	
	PIN
RF OUTPUT	1(*)
V _t	5
V _{cc}	7
GND	2,3,4,6,8



SIDE VIEW



RECOMMENDED
LAND PATTERN
(TOP VIEW)

SYMBOL	DIMENSION MILLIMETERS
A	8.0±0.2
B	6.0±0.2
C	1.9MAX
D	1.3±0.1
E	2.0±0.2
F	2.2±0.2
G	0.7±0.1
H	1.05±0.1
J	2.95±0.1
K	3.0±0.1
L	1.4±0.1