

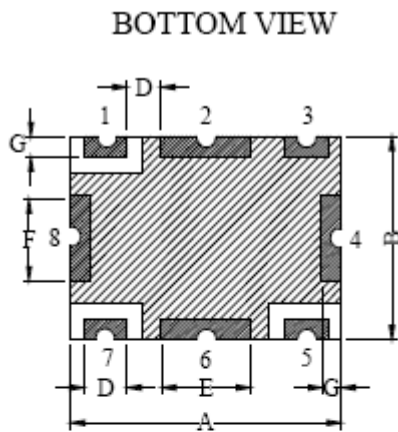
FEATURE:

- Frequency Range : 1548 MHz ~ 1623 MHz
- SIZE: 8.0×6.0×1.9 mm ;
- ROHS ;

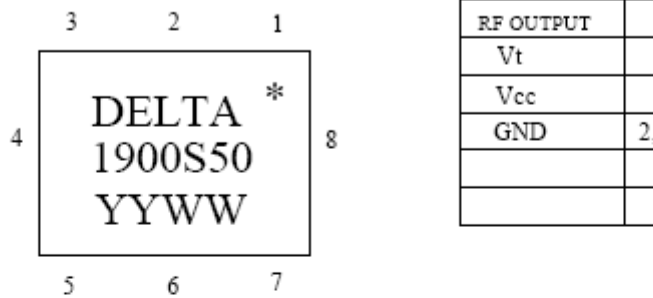
ELECTRICAL SPECIFICATION

Frequency Range		1548 MHz ~ 1623 MHz
Tuning voltage	V _{DC}	1.0 ~ 4.0
Tuning Sensitivity	MHz/V	----
Phase Noise	dBc/Hz @offset	≤-94 @ 10KHz
Output Power	dBm	7±2
Pushing	MHz	±0.5
Pulling (1.67:1 VSWR)	MHz	3.0
Supply Voltage	V _{DC}	5.0±0.2
Supply Current	mA	20
Harmonic 2nd	dBc	-20
Input Capacitance	pF	47
Operating Temperature	°C	-20°C ~ +75°C

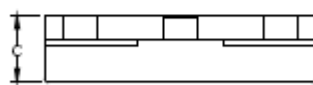
OUTLINE DRAWING (mm)



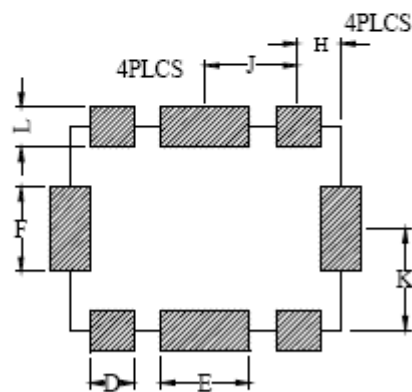
TOP VIEW



PIN OUT FOR VCO	
	PIN
RF OUTPUT	1(*)
V _t	5
V _{cc}	7
GND	2,3,4,6,8



SIDE VIEW



RECOMMENDED LAND PATTERN (TOP VIEW)

SYMBOL	DIMENSION	
	MILLIMETERS	
A	8.0±0.2	
B	6.0±0.2	
C	1.9MAX	
D	1.3±0.1	
E	2.0±0.2	
F	2.2±0.2	
G	0.7±0.1	
H	1.05±0.1	
J	2.95±0.1	
K	3.0±0.1	
L	1.4±0.1	